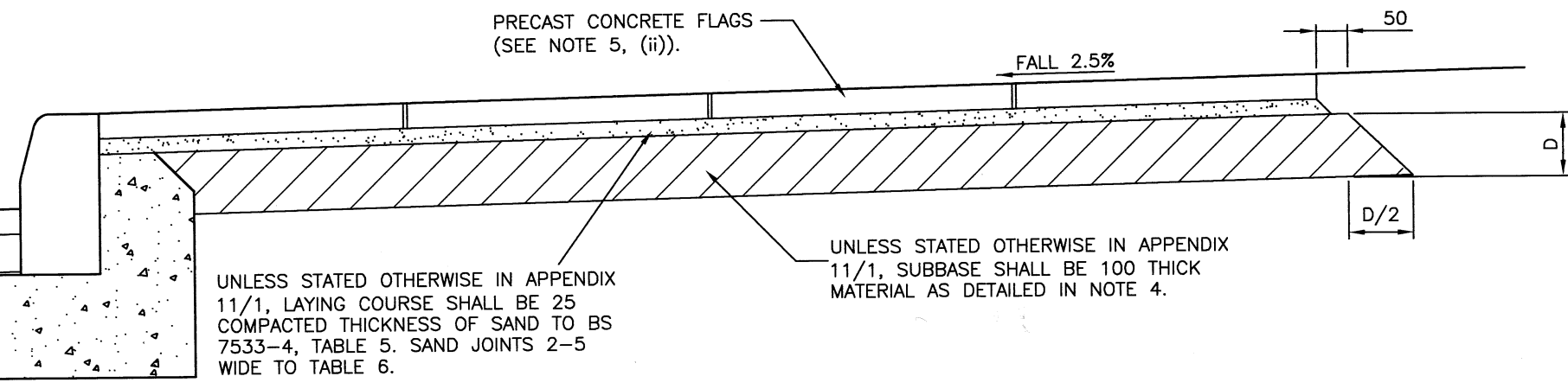
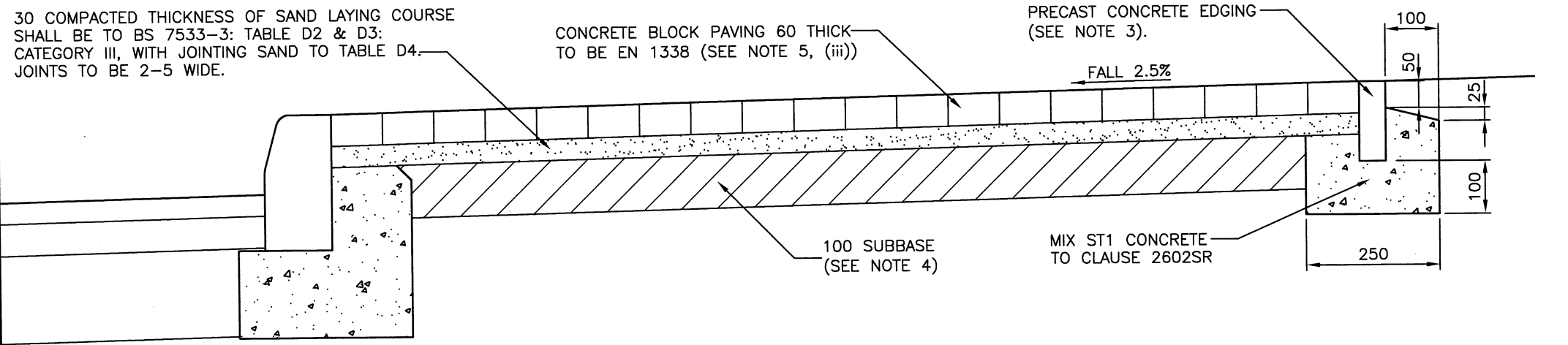


FOOTWAY TYPE 1B
ALTERNATIVE FLEXIBLE CONSTRUCTION

FOOTWAY TYPE 1A
PREFERRED FLEXIBLE CONSTRUCTION



FOOTWAY TYPE 2 - PRECAST CONCRETE FLAGS



FOOTWAY TYPE 3 - CONCRETE BLOCK PAVING

- NOTES:**
- ALL DIMENSIONS ARE IN MILLIMETRES.
 - ALSO REFER TO APPENDIX 11/1.
 - PRECAST CONCRETE EDGINGS SHALL BE 150x50 TYPE EF TO BS EN 1340.
WEATHERING RESISTANCE: CLASS 3
BENDING STRENGTH: CLASS 2
ABRASION RESISTANCE: CLASS 3.
SLIP/SKID RESISTANCE: MIN PPTV 45 TO BS 7932.
 - SUBBASE SHALL BE ONE OF THE MATERIALS COMPLYING WITH CLAUSE 803 OR CLAUSE 891AR, 892AR, 894AR OR 893AR, AS SPECIFIED IN THE WORKS INFORMATION.
 - (i) FOOTWAY TYPE 1A AND 1B SHALL BE IN ACCORDANCE WITH CL. 1105. TREATMENT OF LAYERS AND JOINTS TO BE IN ACCORDANCE WITH CL 903.4.

(ii) FOOTWAY TYPE 2 SHALL BE IN ACCORDANCE WITH CL. 1104 AND FLAGS TO BS EN 1339:
TENSILE SPLITTING STRENGTH: MIN. 3.6(Mpa)
WEATHERING RESISTANCE: CLASS 3
SLIP/SKID RESISTANCE: MIN PPTV 45 TO BS 7932.

(iii) FOOTWAY TYPE 3 SHALL BE IN ACCORDANCE WITH CL. 1107 AND BLOCKS TO BS EN 1338:
BENDING TENSILE STRENGTH: CLASS 3
WEATHERING RESISTANCE: CLASS 3
SLIP/SKID RESISTANCE: MIN PPTV 45 TO BS 7932.
 - WHERE DETAILED IN APPENDIX 11/1, A GEOTEXTILE OR ROOT BARRIER SHALL BE INSTALLED AT FOOTWAY FORMATION LEVEL.
 - KERB TYPE SHALL BE AS SPECIFIED ON LAYOUT DRAWINGS.
 - WHEN EXCAVATING TO FOOTWAY FORMATION LEVEL, THE FULL DEPTH OF EXISTING MATERIAL, INCLUDING TOPSOIL, SHALL BE REMOVED. ANY ADDITIONAL DEPTH OF EXCAVATION RESULTING FROM THIS SHALL BE BACKFILLED WITH SUBBASE AS NOTE 4.
 - WHERE THE FOOTWAY IS LIKELY TO BE OVER-RIDDEN BY VEHICLES ON A REGULAR BASIS, FOOTWAY TYPES 5, 6A OR 6B SHALL BE USED (SEE HCC10/C/055).

REV	AMENDMENTS	DATE	CAD	CHKD	APPD

CONSULTANT

STUART JARVIS BSc DipTP FCIHT MRTPI: DIRECTOR OF ECONOMY, TRANSPORT & ENVIRONMENT

SCHEME

STANDARD DETAILS

DRAWING TITLE

**FOOTWAYS
TYPES 1A, 1B, 2 & 3**

HCC CADplot: 18.Sep.2015 at 2:03pm		
DRAWN MC	CHECKED WW	SCALE @ A3 N.T.S
CAD MC	APPROVED CP	DATE July 2015
DRG No. HCC10/C/045	REVISION -	

Copyright Hampshire County Council. 2015

All rights, including translation, reserved. No part of this publication may be reproduced, stored in a retrieval system, or transmitted in any form or by any means (electronic, mechanical, photocopied, recorded or otherwise) without the prior written permission of Hampshire County Council. Requests should be directed to the Economy, Transport & Environment Department.

HCC CADfile: K:\Eng\Standard\AutoCAD\Standard Details (Secure) As Updated Dec 2011\2015 STANDARD DETAILS-NOT YET RELEASED\C-045.dwg