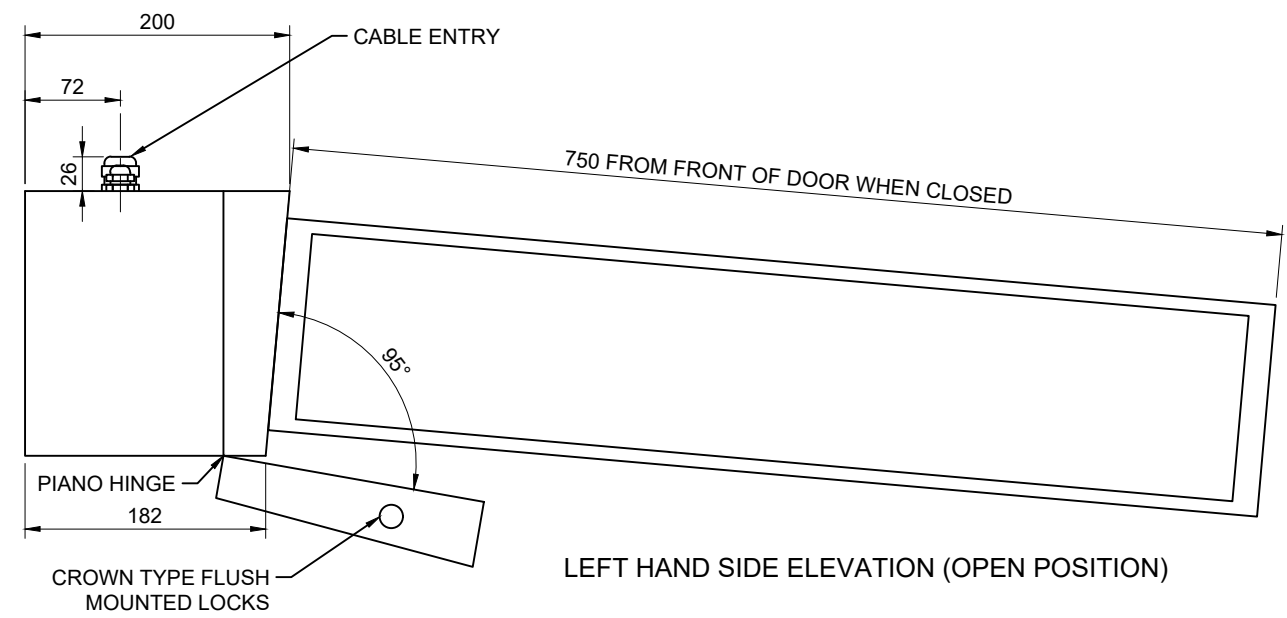
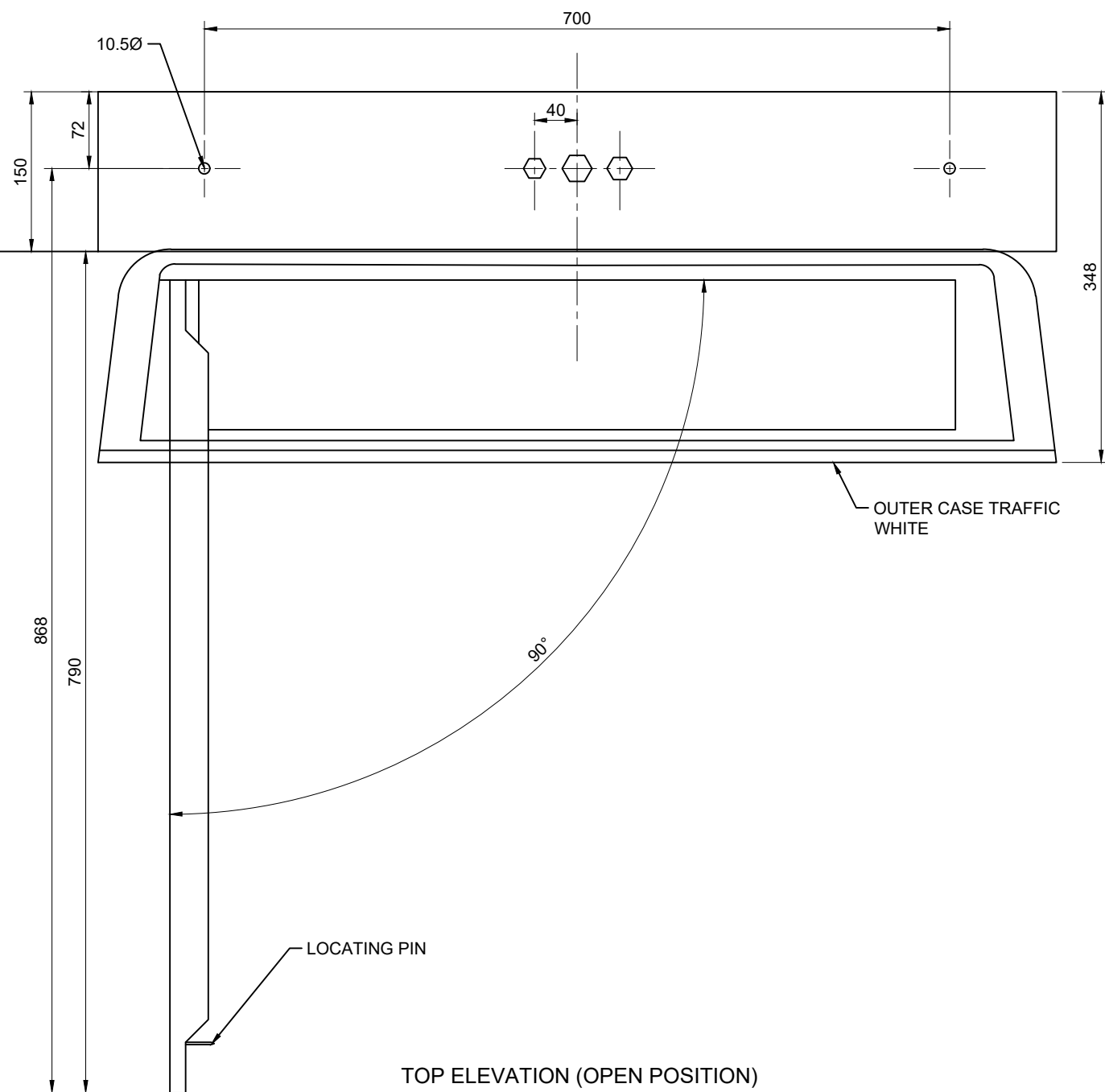


FRONT ELEVATION (CLOSED POSITION)



LEFT HAND SIDE ELEVATION (OPEN POSITION)



TOP ELEVATION (OPEN POSITION)

28" RESIZING LCD, 1000 NITS LED BACKLIT, VIEWING AREA 697.68 x 130.7, ASPECT RATIO 16:3, ALUMINIUM HOUSING, SIDE LOCKS (FLUSH CROWN TYPE), TOP MOUNTING (M10) FRONT DOOR HINGES DOWNWARDS, TFT PANEL HINGES EITHER FROM LEFT OR RIGHT.
 FEATURES INCLUDED: 5mm POLYCARBONATE SCREEN, ANTI-SCRATCH COATED, HIDDEN SPEAKER IP65 RATED HOUSING ALLOW 750mm CLEARANCE TO THE FRONT OF THE DISPLAY FOR LCD PANEL TO OPEN

NOTES

- DO NOT SCALE FROM THIS DRAWING
- ALL DIMENSIONS IN MILLIMETRES UNLESS OTHERWISE STATED
- THIS DRAWING TO BE READ IN CONJUNCTION WITH TECHNICAL GUIDANCE NOTE TG9 - PUBLIC TRANSPORT INFRASTRUCTURE 3.4.12
- SCREEN TYPE 28" TFT BY OTHERS
- FIXING POINTS AND CABLE ENTRY GLANDS TO BE ACCOMMODATED WITHIN SHELTER MOUNTING BRACKET
- MOUNTING BRACKET SHALL BE SET TO ENABLE DOOR OPENING AND SCREEN SWING CLEAR OF OTHER SHELTER FIXINGS

REV	AMENDMENTS	DATE	CAD	CHKD	APPO
CONSULTANT					



STUART JARVIS BSc DipTP FCIHT MRTPI: DIRECTOR OF ECONOMY, TRANSPORT & ENVIRONMENT

SCHEME

STANDARD DETAILS

DRAWING TITLE

BUS STOP DISPLAY SCREEN FIXING AND INSTALLATION DETAILS

Copyright Hampshire County Council. 2019

All rights, including translation, reserved. No part of this publication may be reproduced, stored in a retrieval system, or transmitted in any form or by any means (electronic, mechanical, photocopied, recorded or otherwise) without the prior written permission of Hampshire County Council. Requests should be directed to the Economy, Transport & Environment Department.

DESIGNER	CHECKED	SCALE @ A3
CV	TM, TM	N.T.S
CAD	APPROVED	DATE
CLT	AW, AW	March 2020
DRAWING NUMBER	REV	
HCC11/C/210		