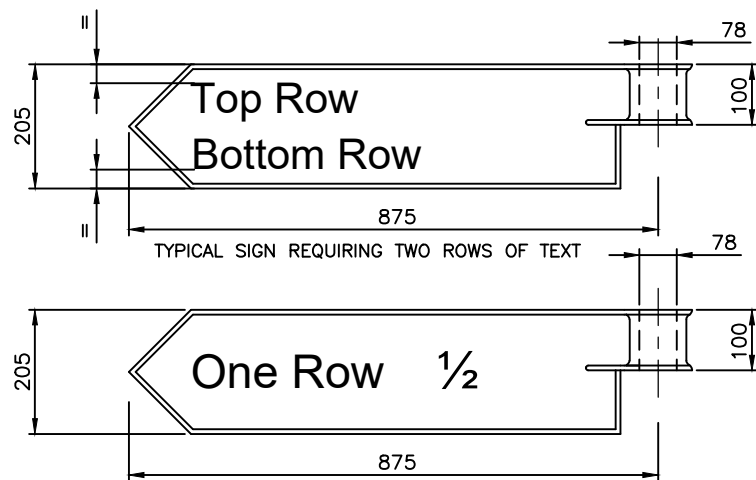
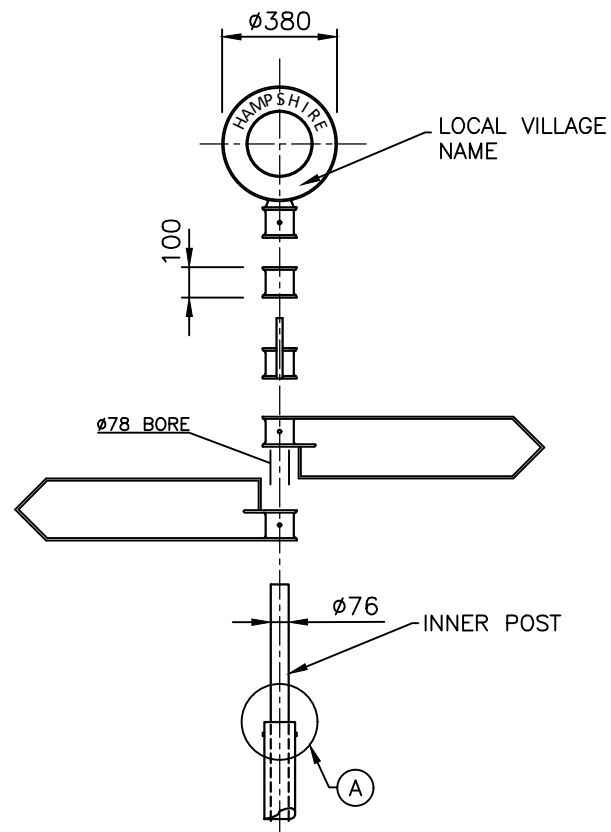


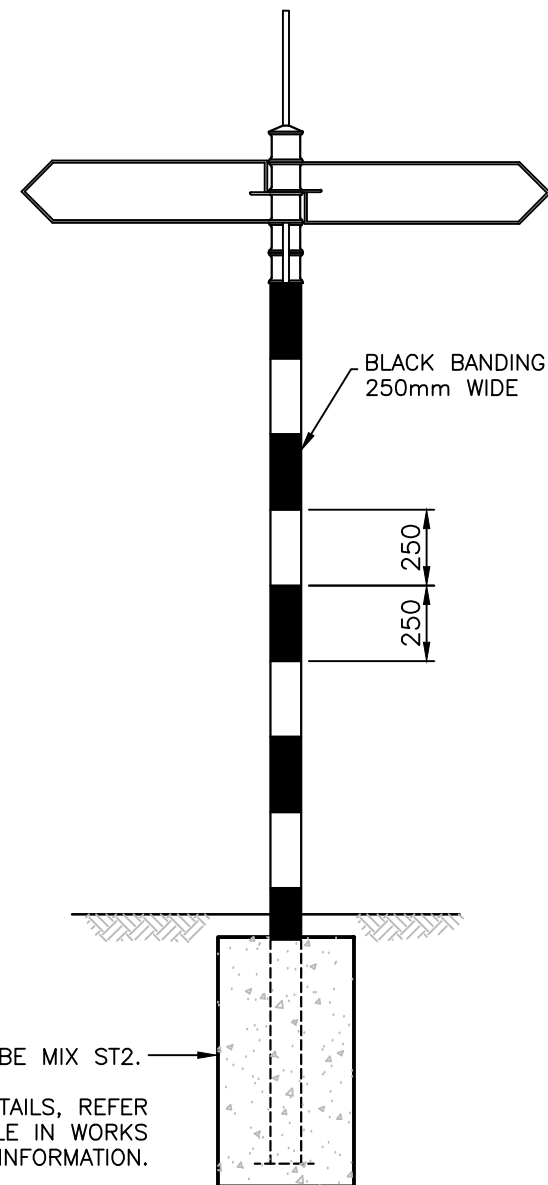
FRONT ELEVATION



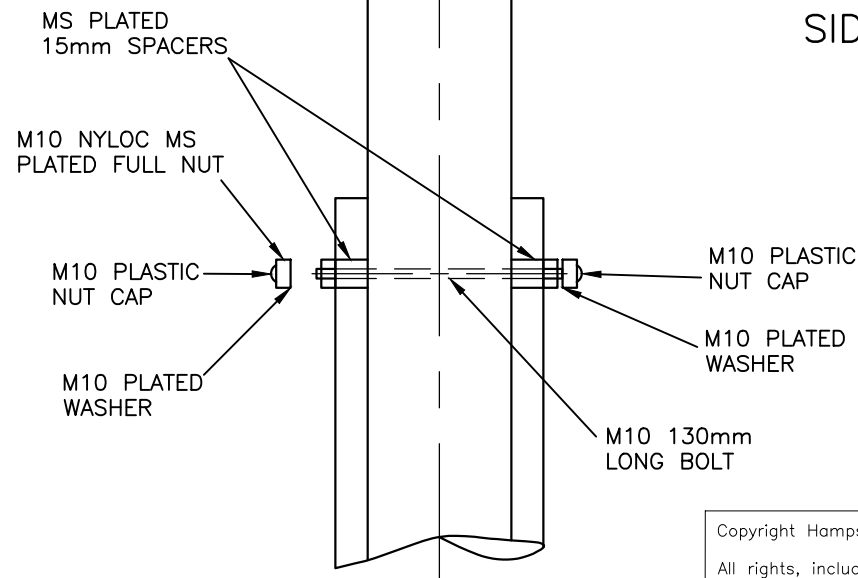
ENLARGED SIGN FACE DETAILS
(PLACE NAMES TO BE IN UPPERCASE/LOWERCASE AS SHOWN)



EXPLODED VIEW OF ALUMINIUM
ARMS, COLLAR AND FINIAL



SIDE ELEVATION



DETAIL A

NOTES:

1. ALL DIMENSIONS ARE IN MILLIMETRES UNLESS STATED OTHERWISE.
2. ALSO REFER TO THE SCHEME SIGN SCHEDULES.
3. ALL SIGN FACES & POSTS TO BE PAINTED WHITE WITH BLACK LETTERING.
4. POST TO BE PAINTED WITH 250mm WIDE BLACK BANDS AS SHOWN.
5. SIGN ARMS, FINIAL, COLLARS AND FINIAL MOUNTS ARE TO BE CAST ALUMINIUM ALLOY OR CAST IRON COMPONENTS. POSTS ARE TO MATCH THE EXISTING ON SITE & ARE TO BE EITHER GALVANISED STEEL TUBE OR CAST IRON OR CAST ALUMINIUM.
6. ALL COATINGS ARE TO BE ZINC PHOSPHATE/ALKYD BASED BLACK OR WHITE (e.g HAMMERITE OR SIMILAR) & ARE TO BE EITHER BY SPRAY OR BRUSH APPLIED WITH A SINGLE COAT OF EACH COLOUR OF PAINT. WHERE EXISTING CAST IRON FINGERS OR POSTS REQUIRE REPAINTING, AN UNDERCOAT OF ZINC PRIMER IS REQUIRED.
7. ALL FIXINGS ARE TO BE CORROSION RESISTANT AND ARE TO BE LEFT IN A CORROSION PROOF STATE BY USE OF GREASE & USING A WATERPROOF CAP. FIXINGS TO BE LEFT IN A TAMPER PROOF STATE BY FILLING GRUB SCREWS WITH A DRILLABLE ADHESIVE FILLER OR EQUIVALENT.

REV	AMENDMENTS	DATE	CAD	CHKD	APPD

CONSULTANT

STUART JARVIS BSc DipTP FCIHT MRTPI: DIRECTOR OF ECONOMY, TRANSPORT & ENVIRONMENT

SCHEME

STANDARD DETAILS

DRAWING TITLE

**END-MOUNTED TRAFFIC SIGN
WITH CIRCULAR FINIAL
(WITH TRADITIONAL FINGER POST)**

HCC CADplot: 24.Mar.2020 at 9:48am		
DRAWN	CHECKED	SCALE @ A3
WW	JPR	N.T.S
CAD	APPROVED	DATE
WW	CDP	March 2020
DRG No.	REVISION	
HCC11/C/185		

Copyright Hampshire County Council. 2019

All rights, including translation, reserved. No part of this publication may be reproduced, stored in a retrieval system, or transmitted in any form or by any means (electronic, mechanical, photocopied, recorded or otherwise) without the prior written permission of Hampshire County Council. Requests should be directed to the Economy, Transport & Environment Department.

Use only in: L:_Encl Standard AutoCAD Standard Details (Scheme) Ac Updated Dec 2011\HCC11 2020 STANDARD DETAILS\185.dwg