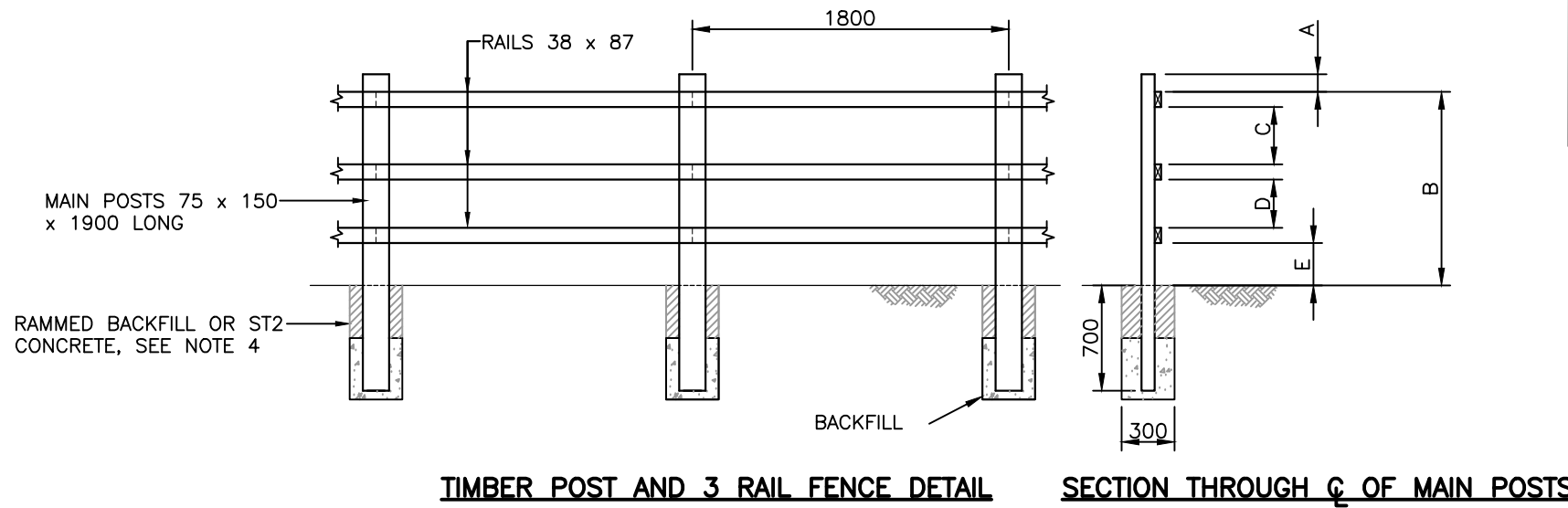


Copyright Hampshire County Council. 2019

All rights, including translation, reserved. No part of this publication may be reproduced, stored in a retrieval system, or transmitted in any form or by any means (electronic, mechanical, photocopied, recorded or otherwise) without the prior written permission of Hampshire County Council. Requests should be directed to the Economy, Transport & Environment Department.

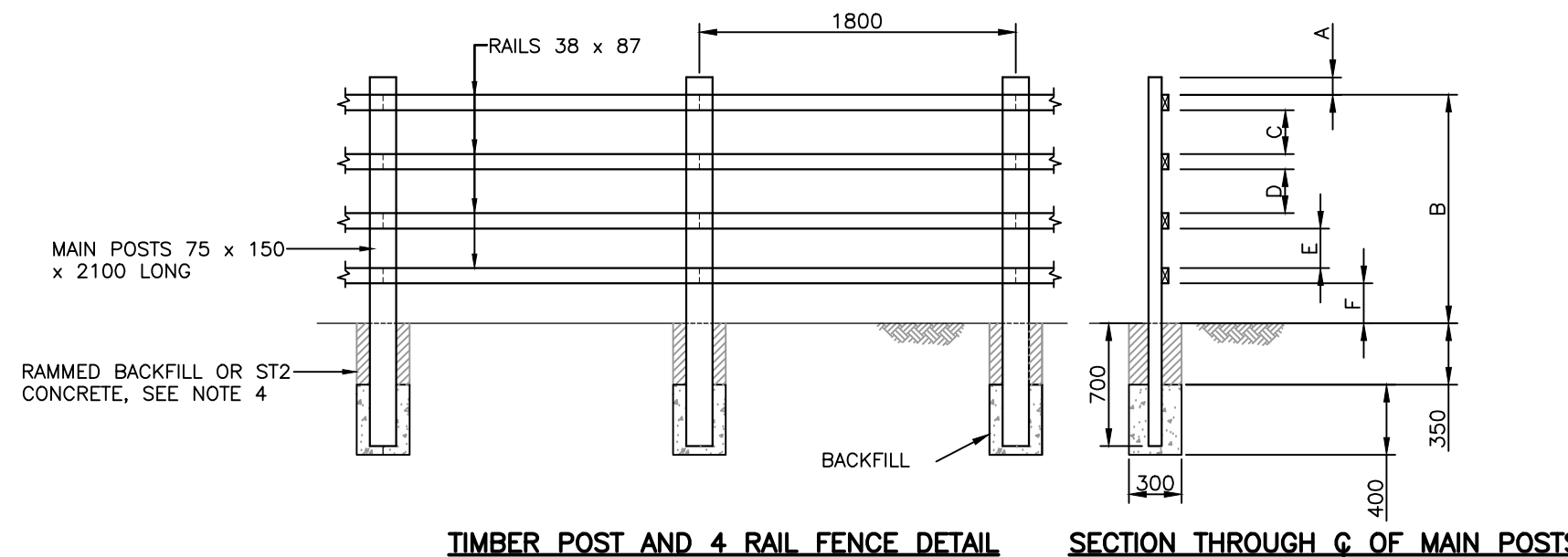
NOTES:

1. ALL DIMENSIONS ARE IN MILLIMETRES.
2. SPECIFICATION CLAUSE 306 APPLIES UNLESS OTHERWISE STATED IN APPENDIX 3/1 OR APPENDIX 1/15.
3. 4 RAIL FENCE – BS 1722-7 TYPE SPR APPLIES UNLESS OTHERWISE STATED.
4. POSTS CAN BE SUPPORTED BY RAMMED BACKFILL OR ST2 CONCRETE UNLESS APPENDIX 1/15 OR APPENDIX 3/1 REQUIRE ST2 CONCRETE TO BE USED.
5. WHERE THE FENCE FORMS A BOUNDARY BETWEEN THE HIGHWAY AND PRIVATE PROPERTY, THE RAILS SHALL BE FIXED TO THE PRIVATE PROPERTY SIDE OF THE POSTS. WHERE THE FENCE IS ADJACENT TO A CYCLEWAY, THE RAILS SHALL BE FIXED TO THE CYCLEWAY SIDE OF THE POSTS. IN ALL CASES, THE RAILS SHALL BE CUT AT EACH POST.



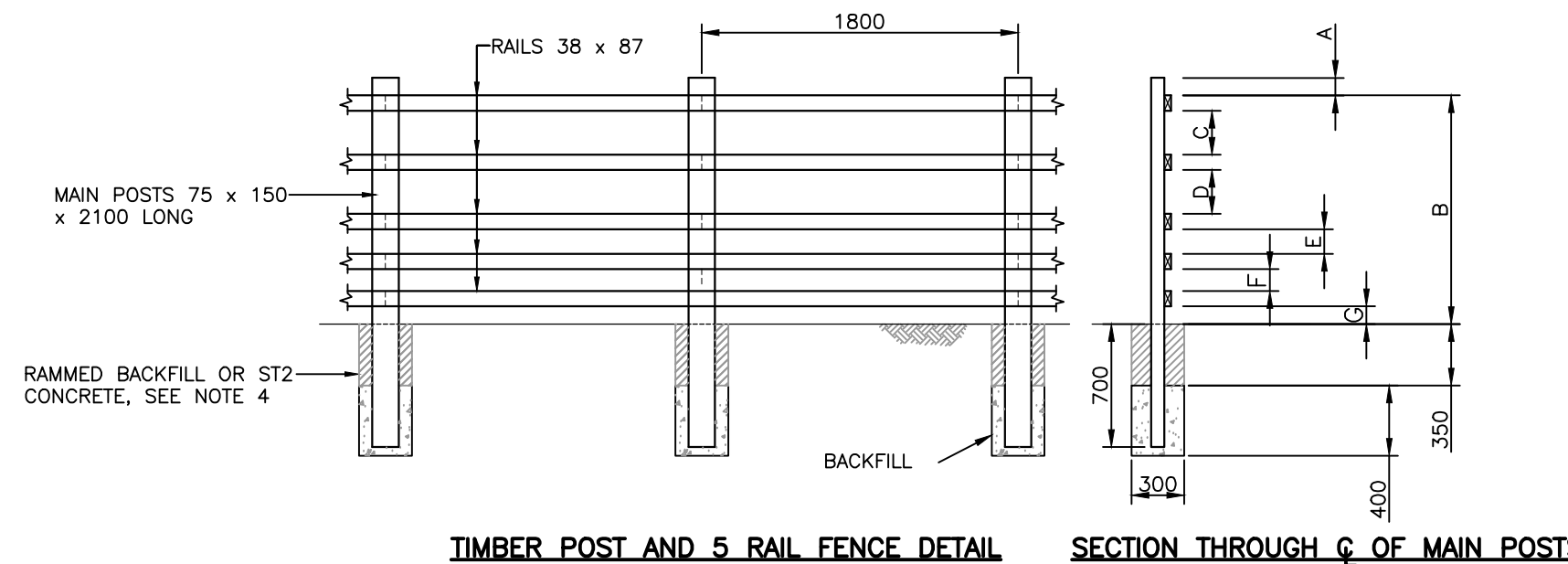
TIMBER POST AND 3 RAIL FENCE DETAIL

SECTION THROUGH C OF MAIN POSTS



TIMBER POST AND 4 RAIL FENCE DETAIL

SECTION THROUGH C OF MAIN POSTS



TIMBER POST AND 5 RAIL FENCE DETAIL

SECTION THROUGH C OF MAIN POSTS

TABLE OF DIMENSIONS

	A	B	C	D	E	F	G
3 RAIL FENCE	100	1100	325	275	240	-	-
4 RAIL FENCE	100	1300	250	250	225	225	-
5 RAIL FENCE	100	1300	250	250	140	125	100

REV	AMENDMENTS	DATE	CAD	CHKD	APPD

CONSULTANT

STUART JARVIS BSc DipTP FCIHT MRTPI: DIRECTOR OF ECONOMY, TRANSPORT & ENVIRONMENT

SCHEME

STANDARD DETAILS

DRAWING TITLE

TIMBER POST AND RAIL FENCE DETAILS

HCC CADplot: 24.Mar.2020 at 9:42am		
DRAWN	CHECKED	SCALE @ A3
RB	JPR	N.T.S
CAD	APPROVED	DATE
RB	CDP	March 2020
DRG No.	REVISION	
HCC11/C/150		

Use path: K:\Enal Standard AutoCAD Standard Details (Secure) Ac Updated Dec 2011\HCC11 2020 STANDARD DETAILS\C Serial\C 150.dwg