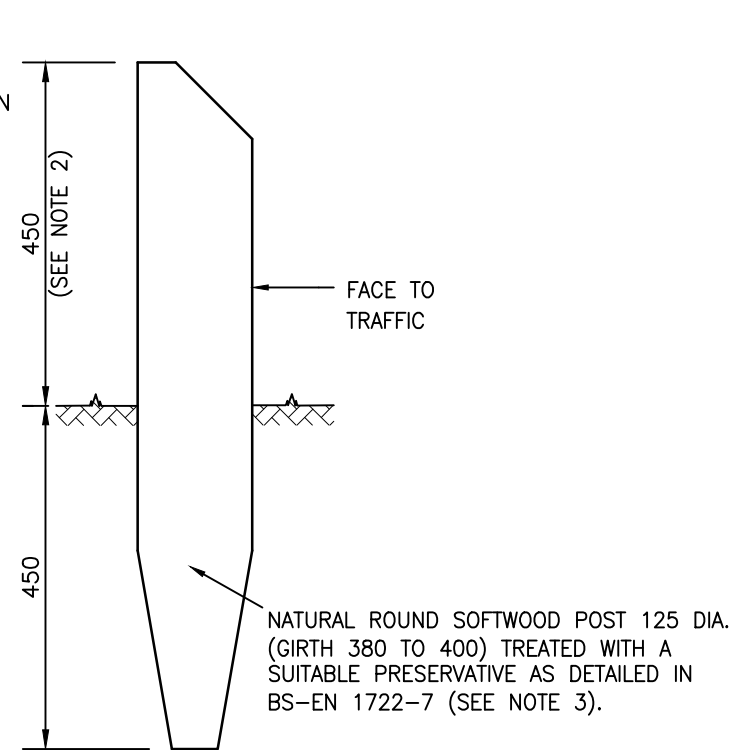
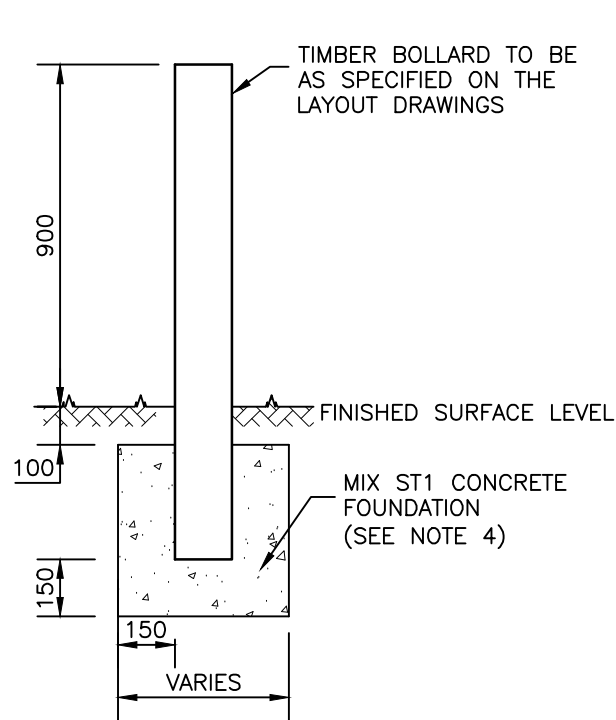


**DRAGON'S TEETH  
TYPE DT1  
(CONCRETE BASE)**

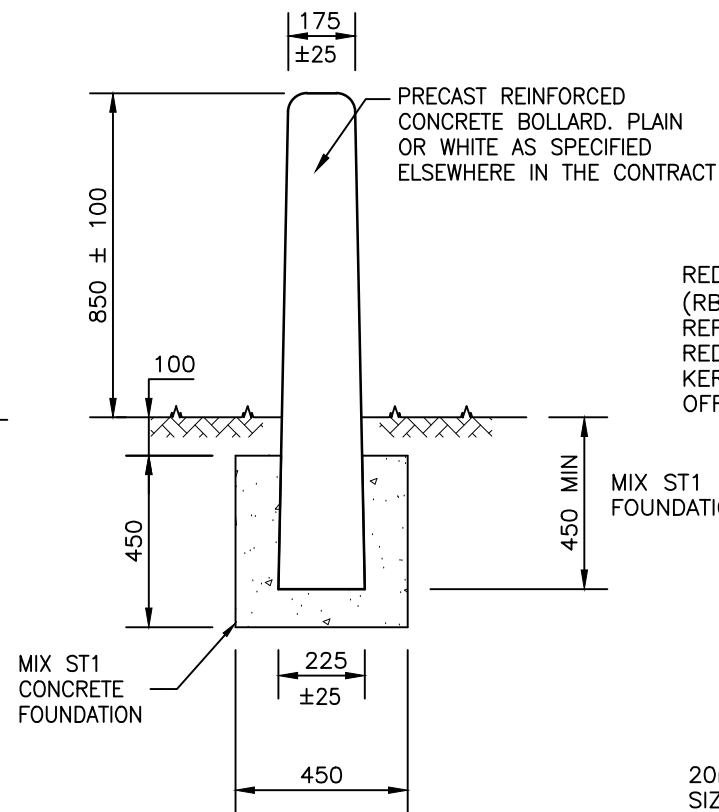
**DRAGON'S TEETH  
TYPE DT2  
(WITH STEEL STRAPS)**



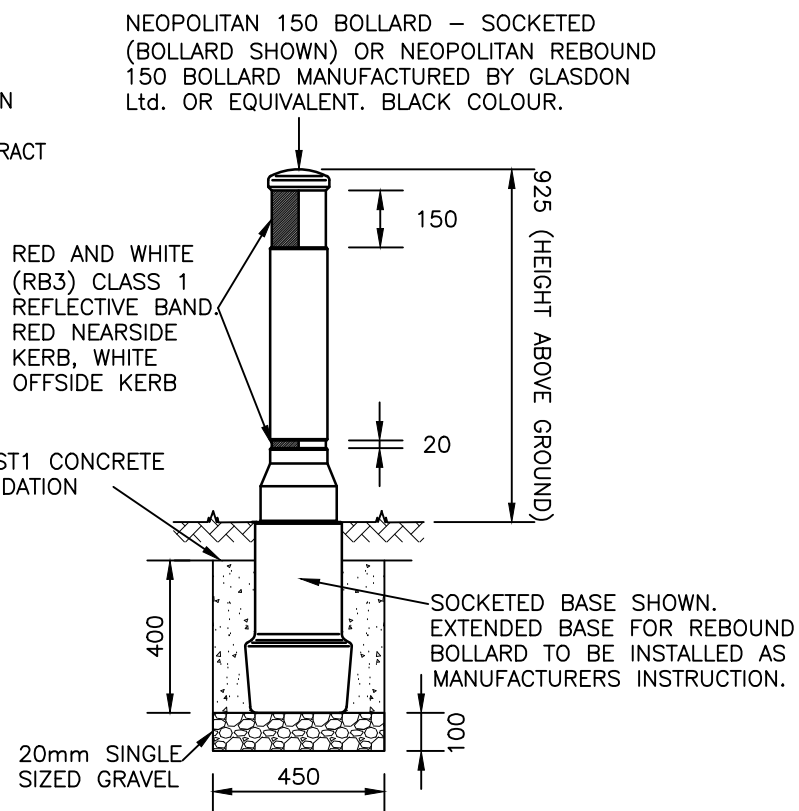
**DRAGON'S TEETH  
TYPE DT3  
(DRIVEN POST)**



**TIMBER BOLLARD FOUNDATION**



**CONCRETE BOLLARD**



**PLASTIC BOLLARD**

**NOTES:**

1. ALL DIMENSIONS ARE IN MILLIMETRES.
2. DRAGON'S TEETH TYPE DT1, DT2 AND DT3: AS SHOWN.  
DRAGON'S TEETH TYPE DT1(L), DT2(L) AND DT3(L): AS SHOWN EXCEPT THAT THEIR HEIGHT ABOVE GROUND SHALL BE 750 AND THEIR OVERALL LENGTH OF POST SHALL BE 1200.
3. ALL TIMBER DRAGON'S TEETH AND BOLLARDS SHALL BE SUPPLIED FROM A SUSTAINABLE SOURCE AND CERTIFICATES SUPPLIED TO THE OVERSEEING ORGANISATION.
4. WHERE TIMBER BOLLARDS ARE TO BE INSTALLED WITH AN OFFSET TO THE EDGE OF THE CARRIAGEWAY OF BETWEEN 450 AND 1000, A WELL COMPACTED GRANULAR MATERIAL TO CLAUSE 803 SHALL BE USED AS A SUBSTITUTE FOR MIX ST1 CONCRETE WHERE INDICATED ON THE LAYOUT DRAWINGS.

REV	AMENDMENTS	DATE	CAD	CHKD	APPD

CONSULTANT

STUART JARVIS BSc DipTP FCIHT MRTPI: DIRECTOR OF ECONOMY, TRANSPORT & ENVIRONMENT

**STANDARD DETAILS**

**DRAWING TITLE**

**WOODEN DRAGON'S TEETH AND BOLLARDS**

HCC CADplot: 24.Mar.2020 at 9:40am		
DRAWN	CHECKED	SCALE @ A3
RB	JPR	N.T.S
CAD	APPROVED	DATE
RB	CDP	March 2020
DRG No.	REVISION	
HCC11/C/135		

Copyright Hampshire County Council. 2019  
All rights, including translation, reserved. No part of this publication may be reproduced, stored in a retrieval system, or transmitted in any form or by any means (electronic, mechanical, photocopied, recorded or otherwise) without the prior written permission of Hampshire County Council. Requests should be directed to the Economy, Transport & Environment Department.

Use only in conjunction with the Standard Details (Scheme) as indicated. Dec 2011 LCC11 2020 STANDARD DETAILS C Serial C 135 Rev