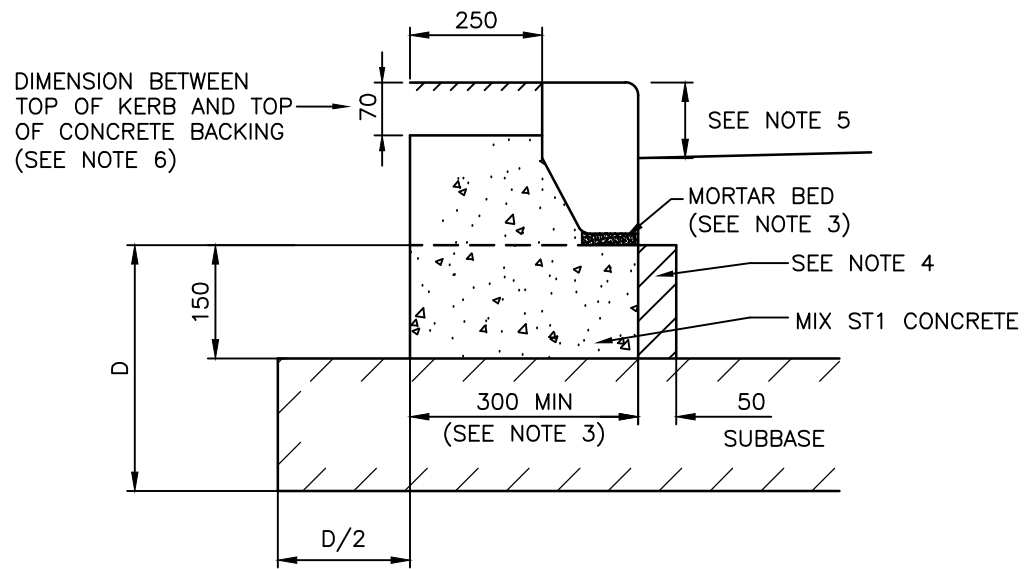
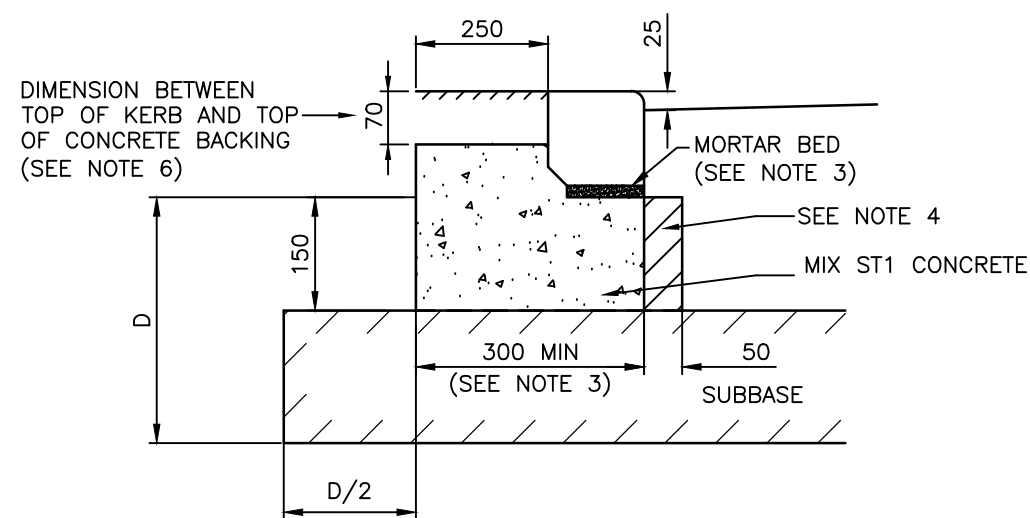


KERB TYPE MK1
(HALF BATTERED)
(MARSHALLS KEYKERB TYPE KL SHOWN)



KERB TYPE MK2
(BULLNOSED)
(MARSHALLS KEYKERB TYPE KL SHOWN)



KERB TYPE MK3
(BULLNOSED VEHICULAR CROSSING)
(MARSHALLS KEYKERB TYPE KS SHOWN)

NOTES:

1. ALL DIMENSIONS ARE IN MILLIMETRES.
2. MODULAR PRECAST KERBS SHALL BE MARSHALLS KEYKERB SYSTEM KL, KM, KS OR EQUIVALENT TO BS EN 1338.
3. MODULAR PRECAST KERBS SHALL BE LAID ON HARDENED, FULLY COMPACTED ST1 CONCRETE, NOT LESS THAN 300 WIDE AND 150 THICK WITH CLASS (iii) MORTAR TO CLAUSE 2404 MIN 10, MAX 40 THICK. THE SUBBASE SHALL BE EXCAVATED WHERE NECESSARY TO ACHIEVE THE 150 THICKNESS OF CONCRETE. RECOMPACT SUBBASE PRIOR TO CONSTRUCTION OF KERB BASE. WHERE APPROVED BY OVERSEEING ORGANISATION IN ADVANCE, AN ALTERNATIVE METHOD OF BEDDING MAY BE USED.
4. WHERE BLOCK PAVING IS TO BE USED FOR THE CARRIAGEWAY SURFACE COURSE, THE EXTENDED KERB BED MAY BE OMITTED TO ENABLE THE FULL DEPTH PAVEMENT CONSTRUCTION TO BE ACCOMMODATED.
5. KERB UPSTAND FOR TYPES MK1 AND MK2 SHALL BE 100 UNLESS OTHERWISE STATED ON LAYOUT DRAWING OR IN APPENDIX 11/1.
6. WHERE FOOTWAY CONSTRUCTION IS TO BE CONCRETE BLOCK PAVING, DEPTH TO BE VARIED TO ACCOMMODATE DEPTH OF BLOCK AND BEDDING MATERIAL.
7. WHERE RADIAL, INTERNAL AND EXTERNAL BLOCKS AND TRANSITION KERBS ARE USED TO ACHIEVE CHANGES IN LINE AND LEVEL AS SHOWN ON THE LAYOUT DRAWINGS, CONCRETE BEDDING AND BACKING SHALL BE AS MK1, MK2 OR MK3 AS APPROPRIATE

REV	AMENDMENTS	DATE	CAD	CHKD	APPD

CONSULTANT



STUART JARVIS BSc DipTP FCIHT MRTPI: DIRECTOR OF ECONOMY, TRANSPORT & ENVIRONMENT

SCHEME

STANDARD DETAILS

DRAWING TITLE

BEDDING DETAIL FOR MODULAR CONCRETE KERBING SYSTEM

HCC CADplot: 24.Mar.2020 at 9:24am		
DRAWN	CHECKED	SCALE @ A3
MC	JPR <i>[Signature]</i>	N.T.S
CAD	APPROVED	DATE
MC	CDP <i>[Signature]</i>	March 2020
DRG No.	REVISION	
HCC11/C/030		

Copyright Hampshire County Council. 2015

All rights, including translation, reserved. No part of this publication may be reproduced, stored in a retrieval system, or transmitted in any form or by any means (electronic, mechanical, photocopied, recorded or otherwise) without the prior written permission of Hampshire County Council. Requests should be directed to the Economy, Transport & Environment Department.