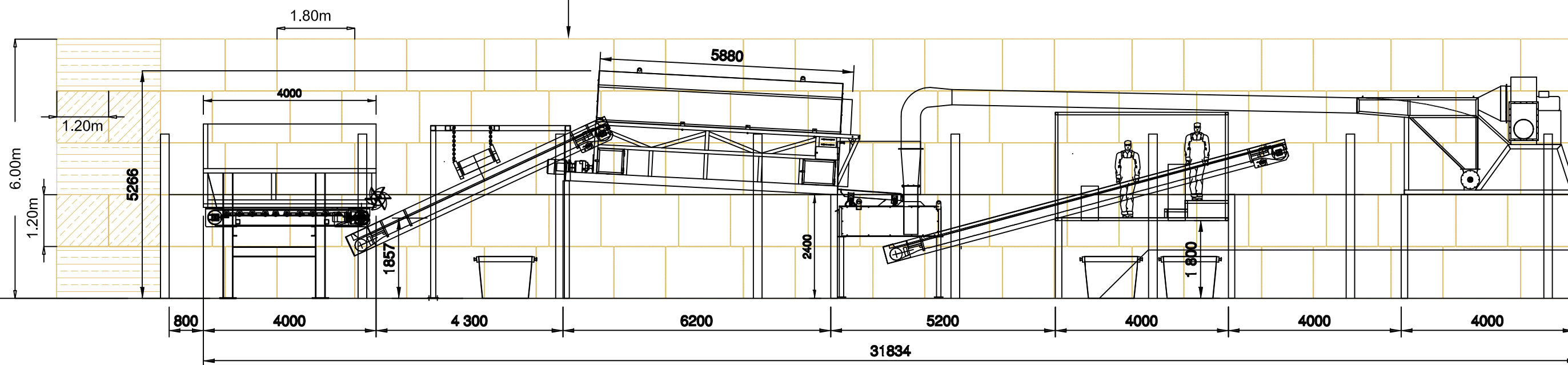


HALE BAY ACOUSTIC BARRIER CONSTRUCTED IN A RUNNING FORMATION, 2 BALES WIDE AND SAME HEIGHT AS THE PICKING STATION



**Basingstoke Skip Hire & Southern Waste Management Ltd**



LANGFORD LODGE  
109 PEMBROKE ROAD  
CLIFTON, BRISTOL  
BS8 3EU  
T: 01179 064280  
F: 01173 179535  
www.slrconsulting.com

MONK SHERBORNE  
PLANNING APPLICATION  
ELEVATION/CROSS SECTION

**GPF/004**

Scale 1:100 @ A3

Date JULY 2015